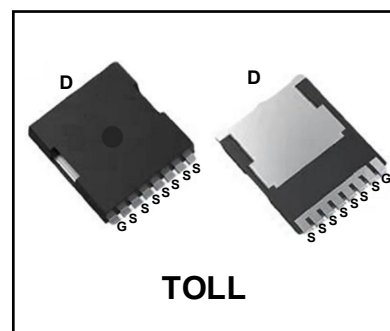


# WMLL065N15HG2

## 150V N-Channel Enhancement Mode Power MOSFET

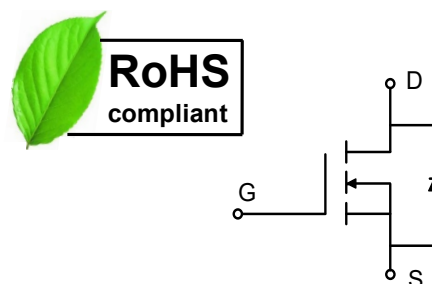
### Description

WMLL065N15HG2 uses Wayon's advanced power trench MOSFET technology that has been especially tailored to minimize the on-state resistance and yet maintain superior switching performance. This device is well suited for high efficiency fast switching applications.



### Features

- $V_{DS} = 150V$ ,  $I_D = 172A$
- $R_{DS(on)} < 6m\Omega$  @  $V_{GS} = 10V$
- Green Device Available
- Low Gate Charge
- 100% EAS Guaranteed



### Applications

- Synchronous Rectification
- LED Backlighting
- Motor Control

### Absolute Maximum Ratings ( $T_A = 25^\circ C$ , unless otherwise noted)

Parameter	Symbol	Value	Unit
Drain-Source Voltage	$V_{DS}$	150	V
Gate-Source Voltage	$V_{GS}$	$\pm 20$	V
Continuous Drain Current	$I_D$	$T_C=25^\circ C$	172
		$T_C=100^\circ C$	109
Pulsed Drain Current <sup>1</sup>	$I_{DM}$	688	A
Single Pulse Avalanche Energy <sup>2</sup>	EAS	480.2	mJ
Total Power Dissipation	$P_D$	$T_C=25^\circ C$ 394.7	W
Operating Junction and Storage Temperature Range	$T_J, T_{STG}$	-55 to 175	$^\circ C$

### Thermal Characteristics

Parameter	Symbol	Value	Unit
Thermal Resistance from Junction-to-Ambient <sup>3</sup>	$R_{\theta JA}$	45	$^\circ C/W$
Thermal Resistance from Junction-to-Case	$R_{\theta JC}$	0.38	$^\circ C/W$

**Electrical Characteristics (T<sub>J</sub> = 25°C, unless otherwise noted)**

Parameter	Symbol	Test Conditions	Min.	Typ.	Max.	Unit
<b>Static Characteristics</b>						
Drain-Source Breakdown Voltage	V <sub>(BR)DSS</sub>	V <sub>GS</sub> = 0V, I <sub>D</sub> = 250μA	150	-	-	V
Gate-body Leakage current	I <sub>GSS</sub>	V <sub>DS</sub> = 0V, V <sub>GS</sub> = ±20V	-	-	±100	nA
Zero Gate Voltage Drain Current	T <sub>J</sub> =25°C	V <sub>DS</sub> =150V, V <sub>GS</sub> = 0V	-	-	1	μA
	T <sub>J</sub> =100°C		-	-	100	
Gate-Threshold Voltage	V <sub>GS(th)</sub>	V <sub>DS</sub> = V <sub>GS</sub> , I <sub>D</sub> = 250μA	2	3	4	V
Drain-Source on-Resistance <sup>4</sup>	R <sub>DS(on)</sub>	V <sub>GS</sub> = 10V, I <sub>D</sub> = 20A	-	4.7	6	mΩ
Forward Transconductance <sup>4</sup>	g <sub>fs</sub>	V <sub>DS</sub> =10V, I <sub>D</sub> =20A	-	88	-	S
<b>Dynamic Characteristics<sup>5</sup></b>						
Input Capacitance	C <sub>iss</sub>	V <sub>DS</sub> = 75V, V <sub>GS</sub> = 0V, f = 1MHz	-	6835	-	pF
Output Capacitance	C <sub>oss</sub>		-	480	-	
Reverse Transfer Capacitance	C <sub>rss</sub>		-	11.5	-	
Gate Resistance	R <sub>g</sub>	f = 1MHz	-	2.5	-	Ω
<b>Switching Characteristics<sup>5</sup></b>						
Total Gate Charge	Q <sub>g</sub>	V <sub>GS</sub> = 10V, V <sub>DS</sub> = 75V, I <sub>D</sub> =20A	-	85	-	nC
Gate-Source Charge	Q <sub>gs</sub>		-	26	-	
Gate-Drain Charge	Q <sub>gd</sub>		-	13	-	
Turn-on Delay Time	t <sub>d(on)</sub>	V <sub>GS</sub> = 10V, V <sub>DD</sub> = 75V, R <sub>G</sub> = 3Ω, I <sub>D</sub> = 20A	-	18	-	ns
Rise Time	t <sub>r</sub>		-	21	-	
Turn-off Delay Time	t <sub>d(off)</sub>		-	60	-	
Fall Time	t <sub>f</sub>		-	24	-	
Body Diode Reverse Recovery Time	t <sub>rr</sub>	I <sub>F</sub> = 20A, di/dt= 200A/μs	-	70	-	ns
Body Diode Reverse Recovery Charge	Q <sub>rr</sub>		-	323	-	nC
<b>Drain-Source Body Diode Characteristics</b>						
Diode Forward Voltage <sup>4</sup>	V <sub>SD</sub>	I <sub>S</sub> = 20A, V <sub>GS</sub> = 0V	-	-	1.2	V
Continuous Source Current	I <sub>S</sub>	T <sub>C</sub> =25°C	-	-	172	A

**Notes:**

1. Repetitive rating, pulse width limited by junction temperature T<sub>J(MAX)</sub>=175°C.
2. The EAS data shows Max. rating . The test condition is V<sub>DD</sub>=25V, V<sub>GS</sub>=10V, L=0.4mH, I<sub>AS</sub>=49A.
3. The data tested by surface mounted on a 1 inch<sup>2</sup> FR-4 board with 2OZ copper, The value in any given application depends on the user's specific board design.
4. The data tested by pulsed , pulse width ≤ 300us , duty cycle ≤ 2%.
5. This value is guaranteed by design hence it is not included in the production test.

Typical Characteristics

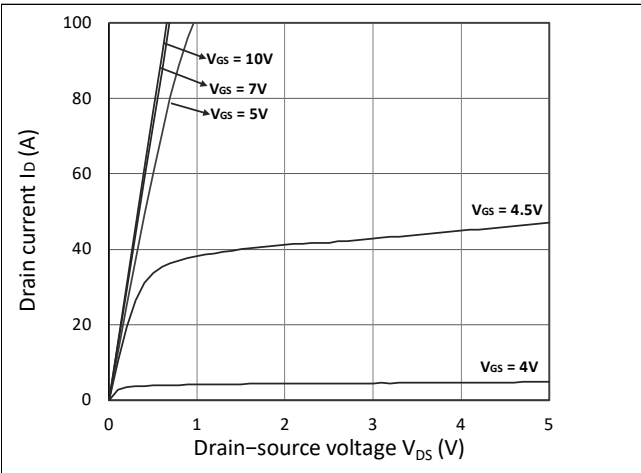


Figure 1. Output Characteristics

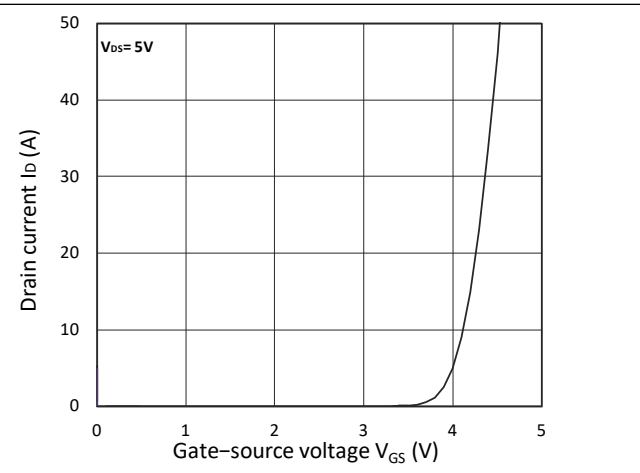


Figure 2. Transfer Characteristics

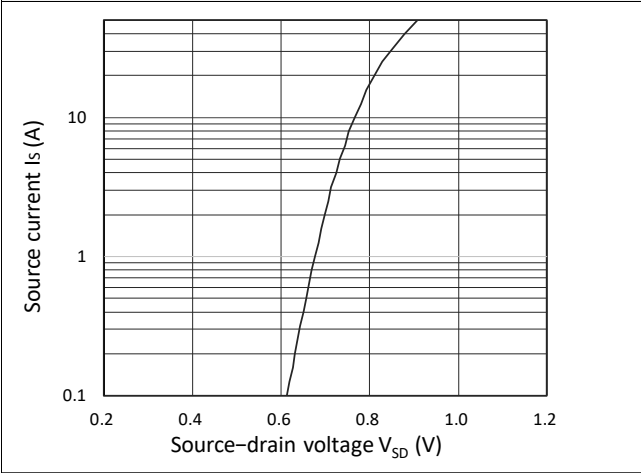


Figure 3. Forward Characteristics of Reverse

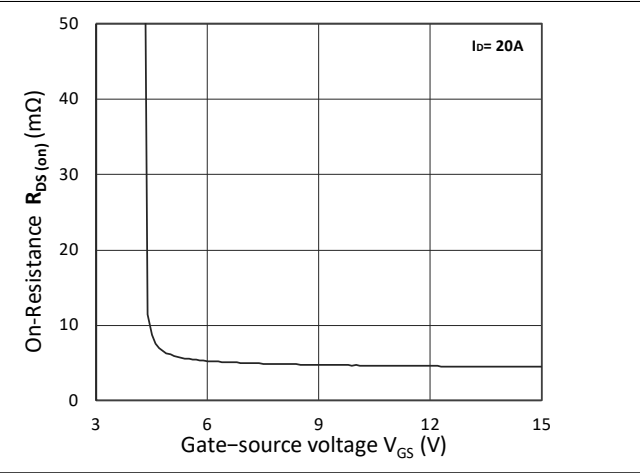


Figure 4.  $R_{DS(on)}$  vs.  $V_{GS}$

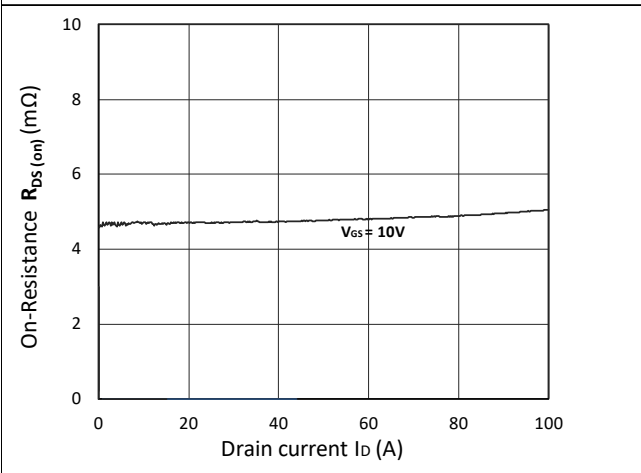


Figure 5.  $R_{DS(on)}$  vs.  $I_D$

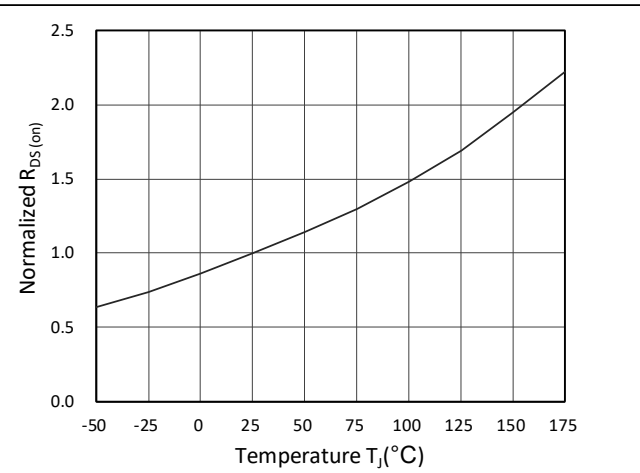


Figure 6. Normalized  $R_{DS(on)}$  vs. Temperature

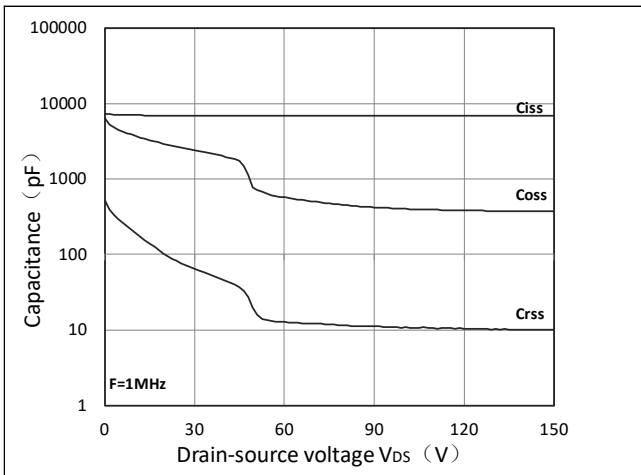


Figure 7. Capacitance Characteristics

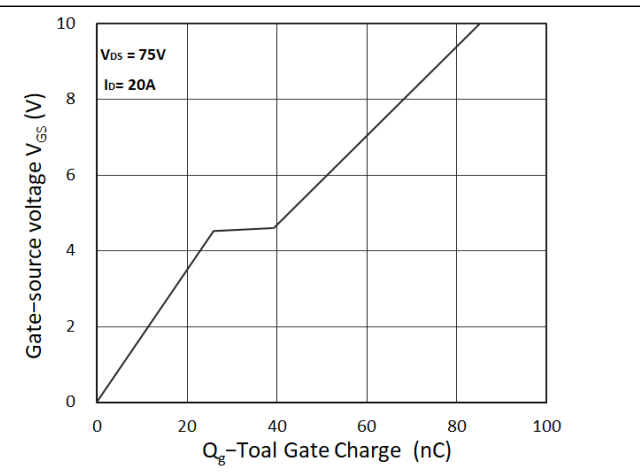


Figure 8. Gate Charge Characteristics

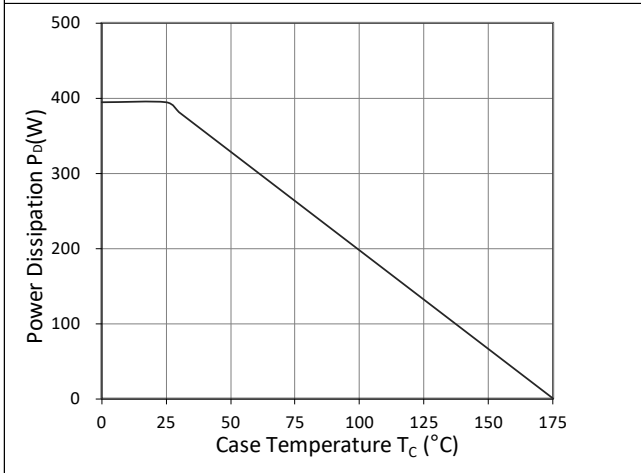


Figure 9. Power Dissipation

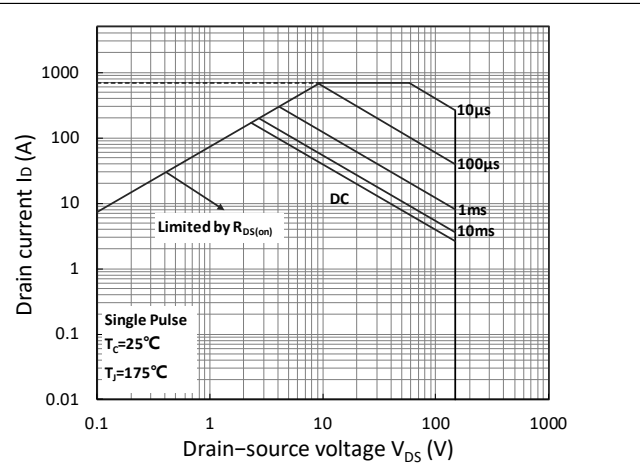


Figure 10. Safe Operating Area

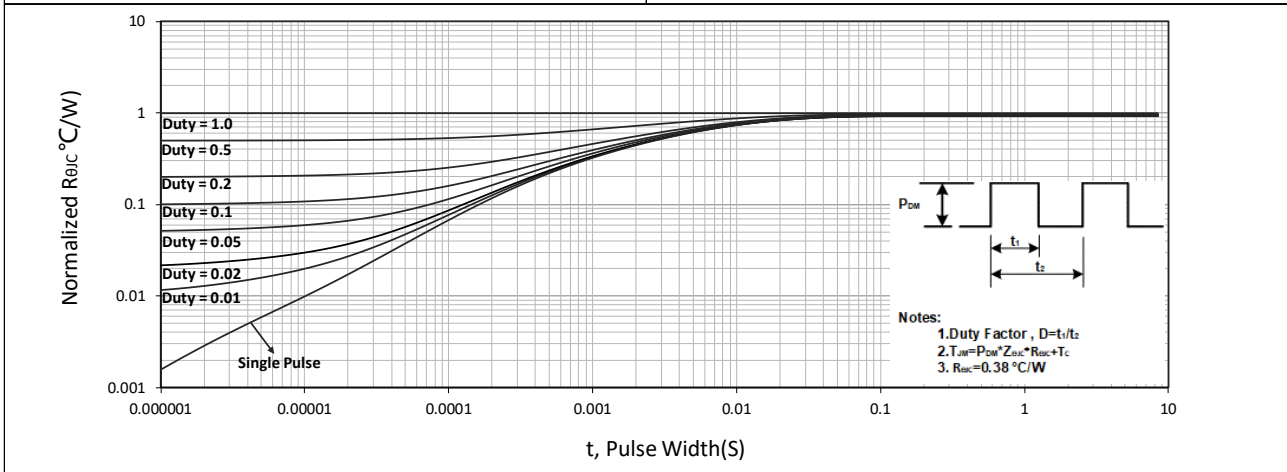


Figure 11. Normalized Maximum Transient Thermal Impedance

Test Circuit

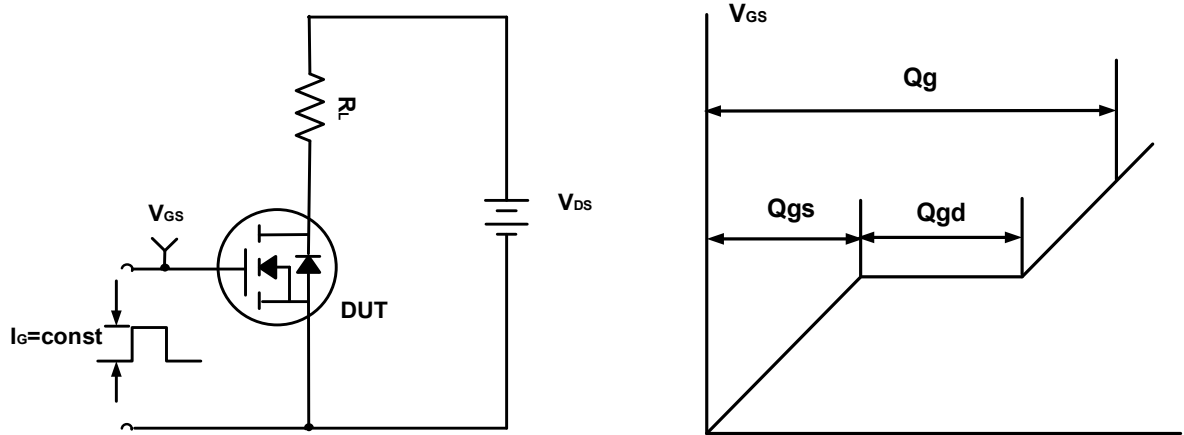


Figure A. Gate Charge Test Circuit & Waveforms

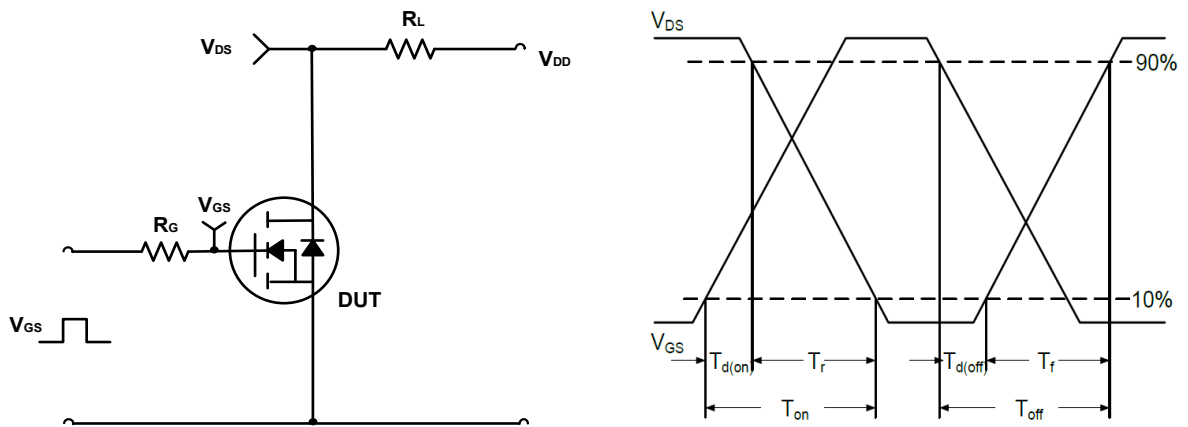


Figure B. Switching Test Circuit & Waveforms

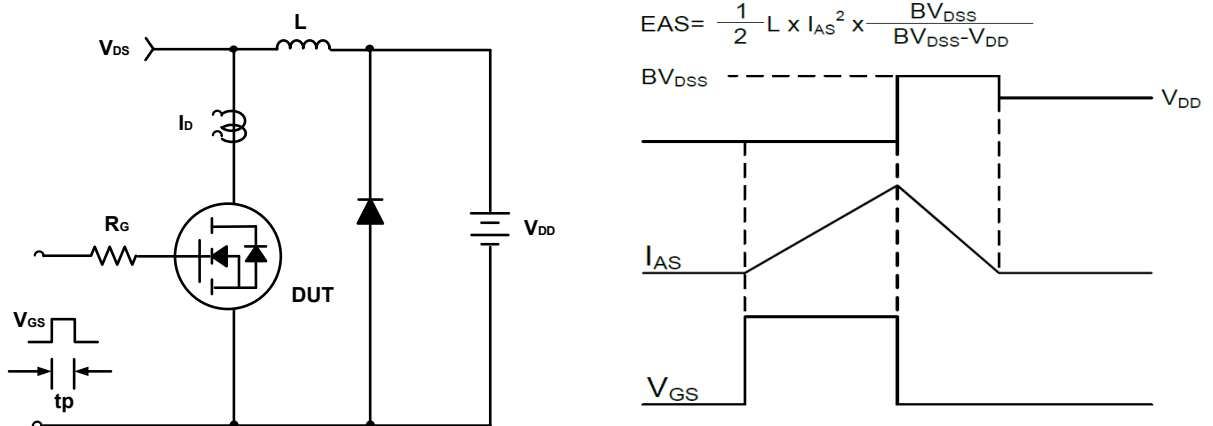
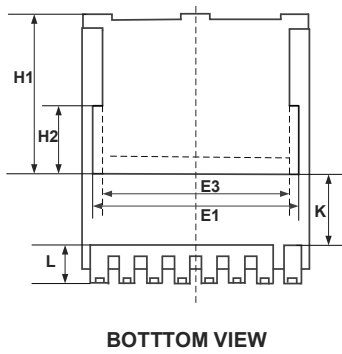
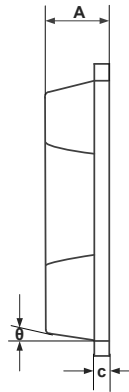
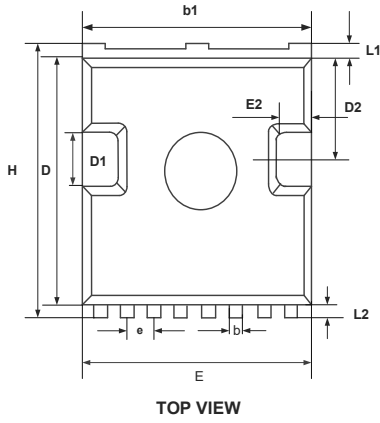


Figure C. Unclamped Inductive Switching Circuit & Waveforms

**Mechanical Dimensions for TOLL**

**COMMON DIMENSIONS**



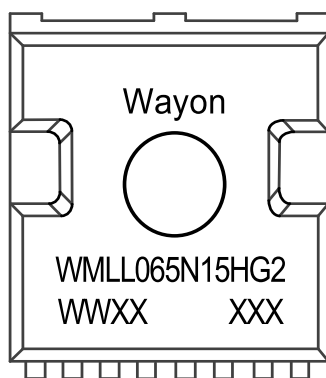
SYMBOL	MM	
	MIN	MAX
A	2.20	2.40
b	0.60	0.90
$b_1$	9.70	9.90
c	0.40	0.60
D	10.20	10.60
$D_1$	3.10	3.50
$D_2$	4.45	4.75
E	9.70	10.10
$E_1$	9.20BSC	
$E_2$	0.50	0.70
$E_3$	7.80BSC	
e	1.20 BSC	
H	11.45	11.90
$H_1$	6.75 BSC	
$H_2$	2.80 BSC	
K	3.10 REF	
L	1.70	2.10
$L_1$	0.60	0.80
$L_2$	0.50	0.70
$\theta$	10° REF	

## WMLL065N15HG2

### Ordering Information

Part	Package	Marking	Packing method
WMLL065N15HG2	TOLL	WMLL065N15HG2	Tape and Reel

### Marking Information



WMLL065N15HG2 = Device code

WWXX XXX= Date code